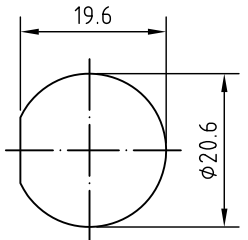
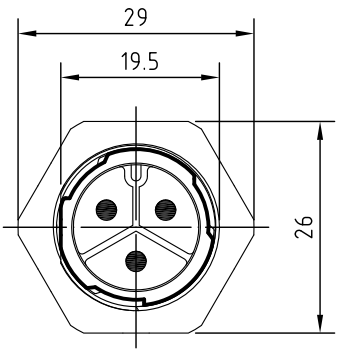
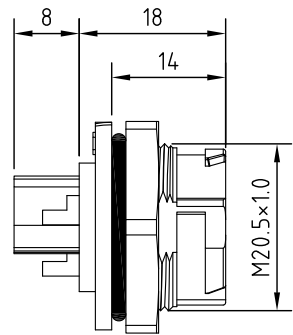


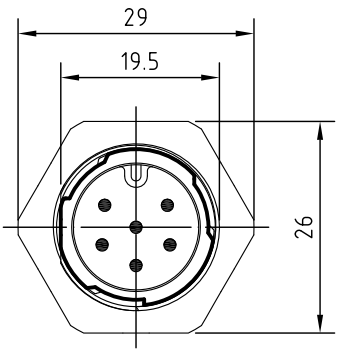
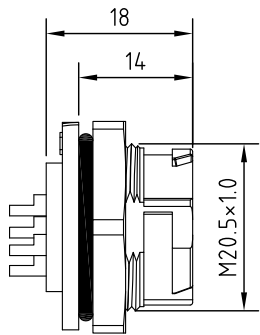
REV.	Description	Date
1	panel cut-out dimension revise	2020/9/16



Recommended Panel cut-out



PIN NO. 2-3P



PIN NO. 4-6P

Specification of connector

- Locking system : Quick Push Lock
- Termination : solder
- Shell protection : IP68
- Contact resistance : <10mΩ
- Insulation resistance : >10MΩ

RoHS
TOLERANCE X±0.5 .X±0.3

4	Nut	PA
3	O ring	Rubber
2	Pin	Brass/Gold plated
1	Body	PA
Item	Description	Material&Plating

CONTACT ARRANGEMENT FRONT VIEW (MALE)	2P	3P	4P	5P	6P
Rated voltage	300V	250V	60V		
Rated current	20A	10A	10A		



Unicable Co., Ltd. 國陽電業有限公司
5F., No. 111-33, Sec. 4, San Ho Road., San Chung Dist., New Taipei City, Taiwan
<http://www.unicable.com.tw> Tel:+886-2-2286-2122 Fax:+886-2-2286-1010

DATE	2020/9/16	PART NO.	UT-SD365F1-XP
DWN	GINA	REV.	1
CHK			
UNIT	MM		

ITEM	Type J(J4): male conn. 2-6P
------	-----------------------------